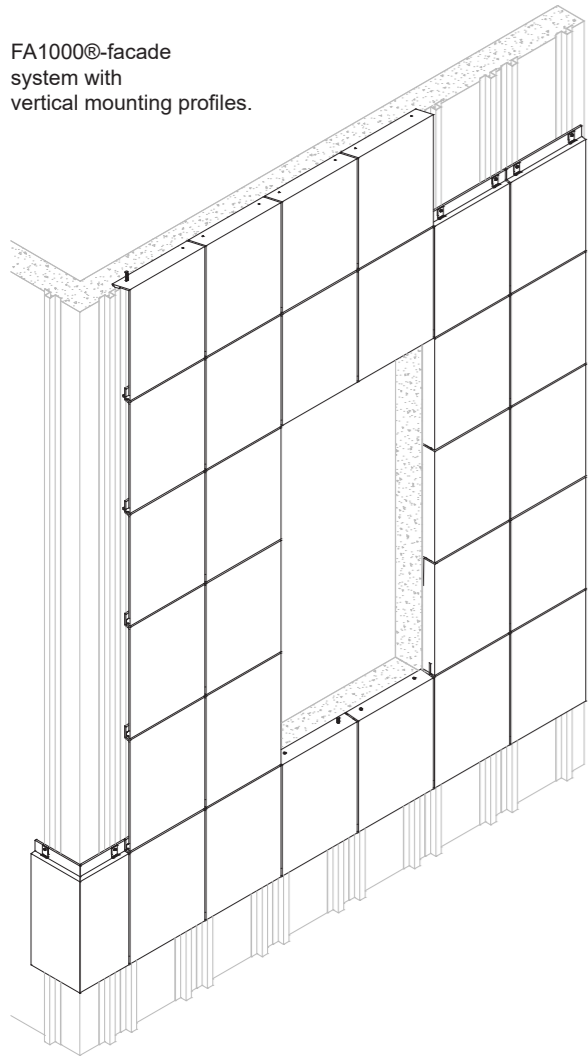
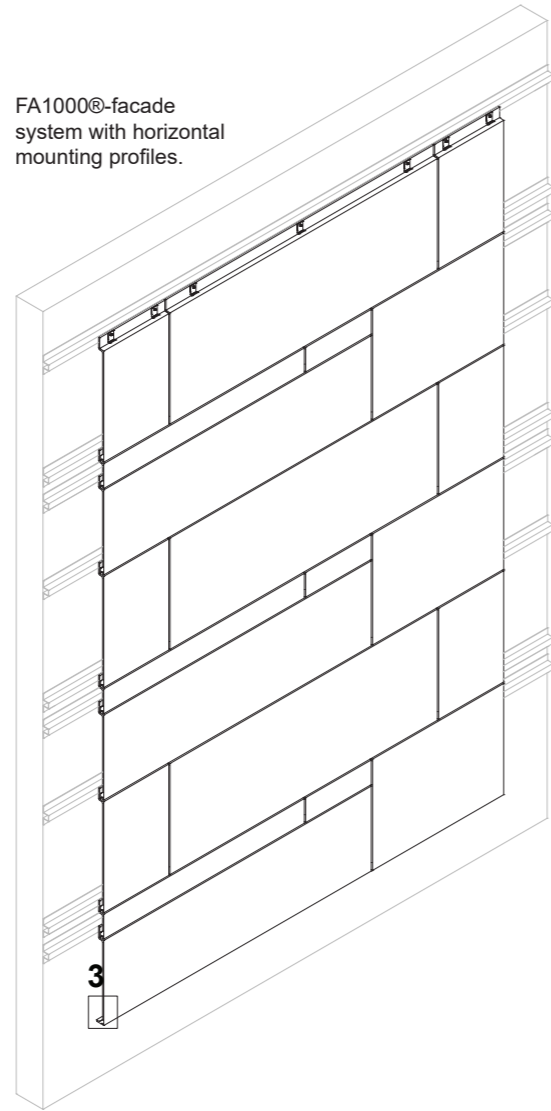


ELEMENT SPLIT

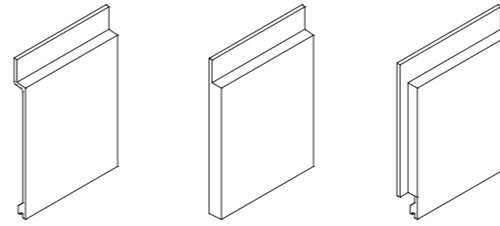
FA1000®-facade system with vertical mounting profiles.



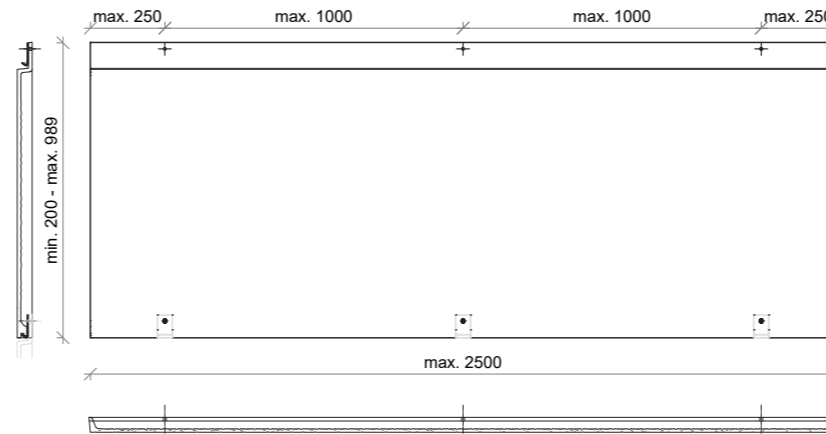
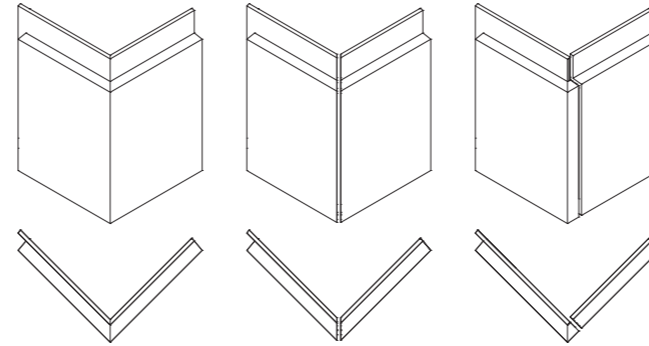
FA1000®-facade system with horizontal mounting profiles.



EXAMPLES



CORNER SOLUTIONS



The FA1000®-system has arisen as a result of the need for a simple solution for facades.

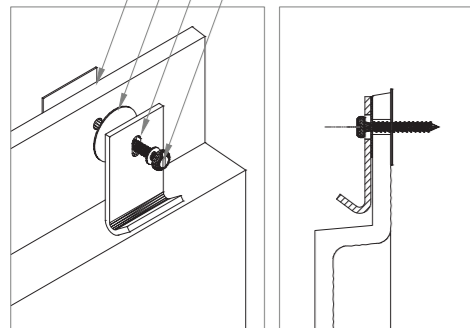
Adhering to the relatively modest element sizes, you get a very easy assembly with solutions to all the common issues of doors, windows, sockets, top and corner elements.

GRC from BB fiberbeton is white or can be coloured through to specification.

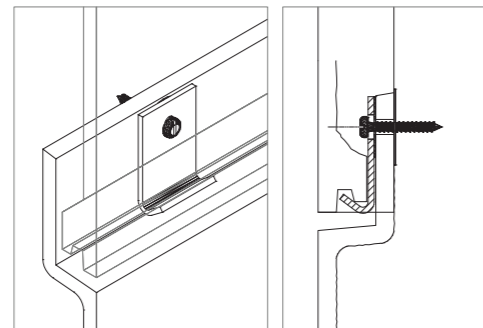
Sizes and connections are adapted to the desired architectural design.

Surfaces can be varied using matrices, mould patterns, exposed aggregates, etc.

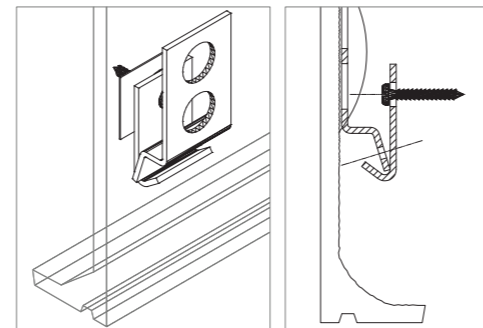
1
EPDM
EPDM disc
J-bracket
Mounting screws with EPDM disc



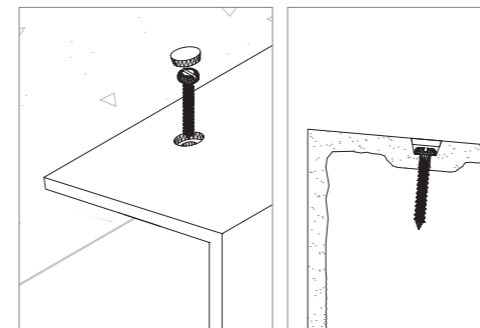
2



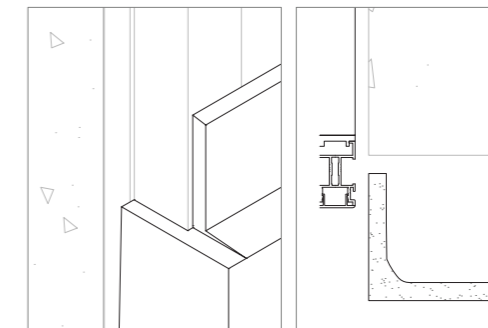
3



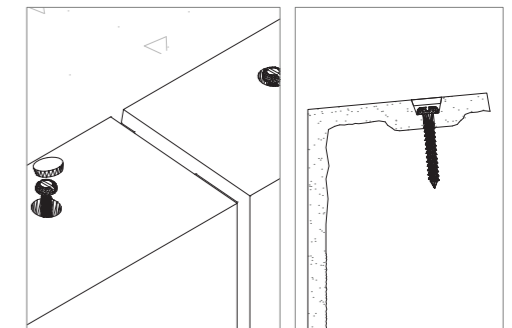
4



5



6



Elements are mounted on load bearing facade construction with mounting screws and J-brackets.
J-brackets are used for mounting of next element.
Neoprene is interlayered.

Next element is mounted so that it rests in the J-bracket that is mounted with previous element.

Elements at socket can also be mounted in J-brackets.
For this purpose, elements are provided with embedded steel brackets at the bottom.

Roof elements can be mounted with a mounting screw through recessed holes.
The elements are produced with returns and recessed holes to suit the individual project.

FA1000®-elements are customized at windows.

Under windows, the FA1000®-elements can be customized to work as sills.